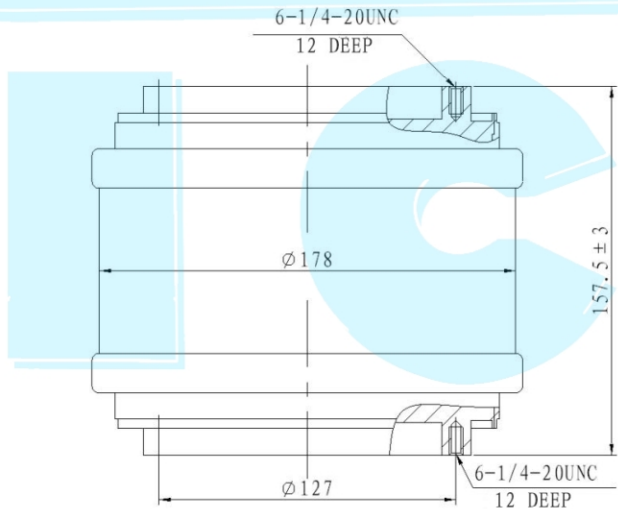


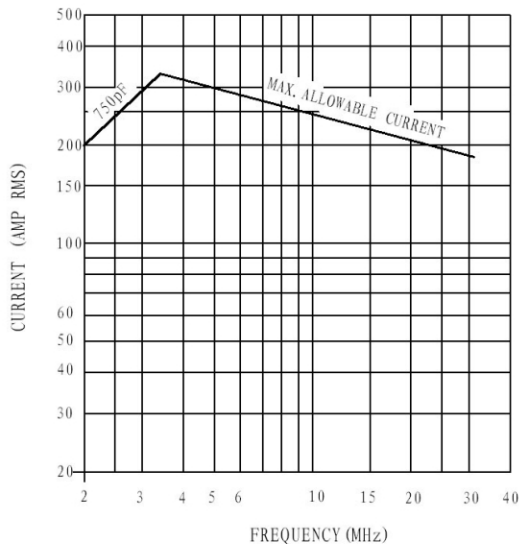


Vacuum Fixed Capacitor

P/N#	Jennings P/N# (cross ref.)	Comet P/N# (cross ref.)	China P/N# (cross ref.)	Capacitance Pf	Voltage KV Peak testing	Voltage KV Peak Working	Current Max. RMS A	Length mm	Diameter mm	Weight kg
CFHP-750-0040	CFHP-750-0040	---	---	750+/-5%	40.0	24	195	139.7	142.75	6
CFHP-750-0045	CFHP-750-0045	---	---	750+/-5%	45.0	27	205	139.7	142.75	6
CFHP-750-0050	CFHP-750-0050	---	---	750+/-5%	50.0	30	215	139.7	142.75	6
CFHP-900-50S	CFHP-900-50S	---	---	900+/-5%	50.0	35	350	157.48	182.9	6
CFHP-1000-40S	CFHP-1000-40S	CF3C-1000E	---	1000+/-5%	40.0	24	330	157.48	182.9	6
CFHP-1000-45S	CFHP-1000-45S	CF3C-1000E	---	1000+/-5%	45.0	27	340	157.48	182.9	6
CFHP-1000-50S	CFHP-1000-50S	CF3C-1000E	CKT1000/35/350	1000+/-5%	50.0	30	350	157.48	182.9	6



CONTINUOUS RMS AMPERES vs FREQUENCY
(at 30KV PEAK WORKING VOLTAGE)



CONTINUOUS RMS AMPERES vs FREQUENCY
(at 27KV PEAK WORKING VOLTAGE)

