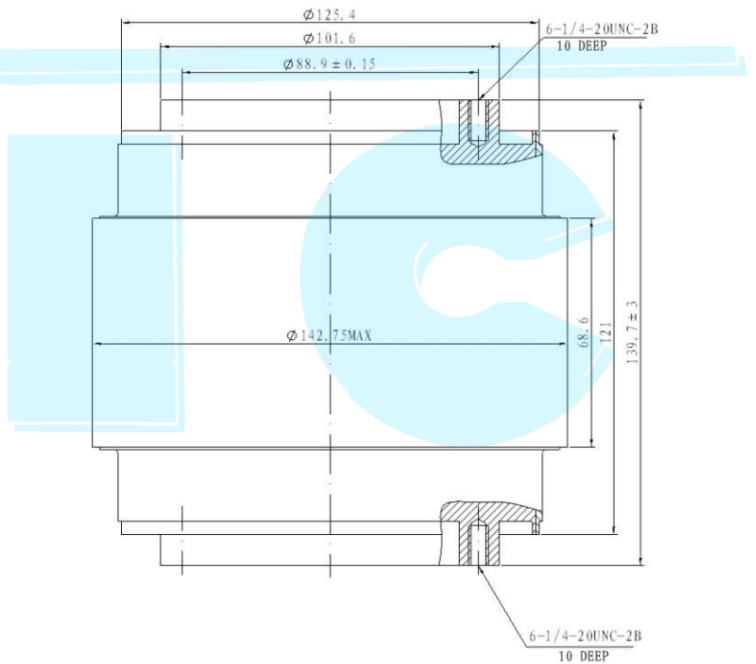
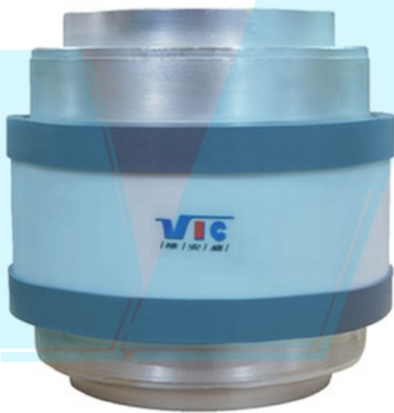




Vacuum Fixed Capacitor

P/N#	Jennings P/N# (cross ref.)	Comet P/N# (cross ref.)	China P/N# (cross ref.)	Capacitance Pf	Voltage KV Peak testing	Voltage KV Peak Working	Current Max. RMS A	Length mm	Diameter mm	Weight kg
CFHP-450-45S	CFHP-450-45S	CF3C-450F	---	450+/-5%	45.0	27	260	139.7	142.75	3.3
CFHP-450-50S	CFHP-450-50S	CF3C-450F	---	450+/-5%	50.0	30	280	139.7	142.75	3.3
CFHP-450-55S	CFHP-450-55S	CF3C-450F	---	450+/-5%	55.0	33	300	139.7	142.75	3.3



CONTINUOUS RMS AMPERES vs FREQUENCY
(at 33KV PEAK WORKING VOLTAGE)

