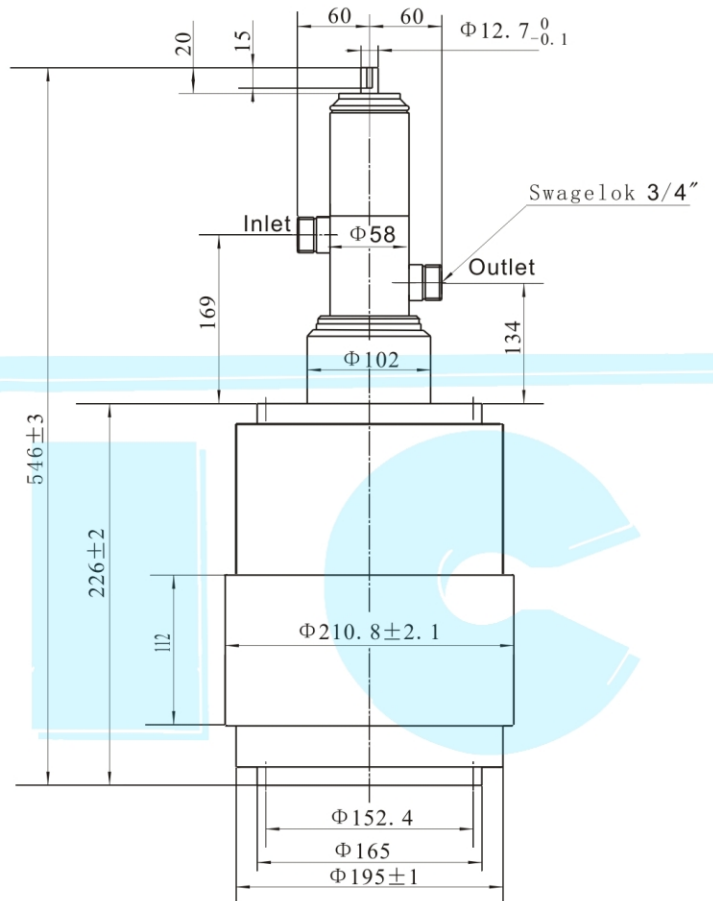




Water Cooled Variable Vacuum Capacitors

VIC P/N#	Jennings P/N# (cross ref.)	Comet P/N# (cross ref.)	China P/N# (cross ref.)	Capacitance Pf	Voltage KV Peak testing	Voltage KV Peak Working	Current Max. RMS A	Length mm/inch	Diameter mm/inch	Weight kg
VC3W-1300FB	CWV5-1300-0150	CV3W-1300FB	CKTBS1300/28/796	100-1300	50/45/40	33/30/27	765,796	546/21.5	214/8.43	19



CONTINUOUS RMS AMPERES VS FREQUENCY
(At 30KV PEAK WORKING VOLTAGE)

