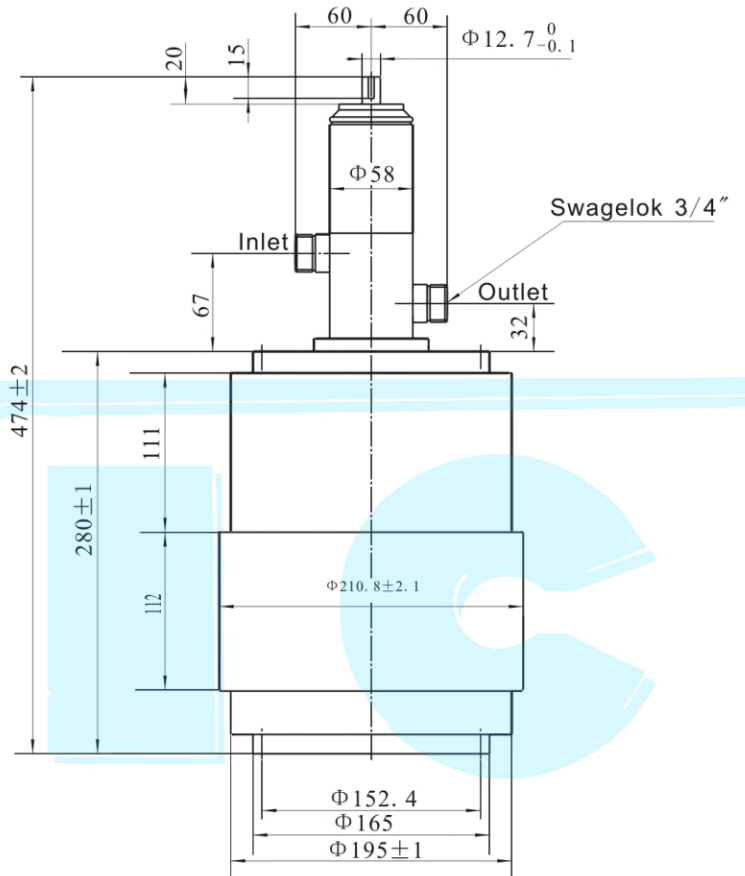




Water Cooled Variable Vacuum Capacitors

VIC P/N#	Jennings P/N# (cross ref.)	Comet P/N# (cross ref.)	China P/N# (cross ref.)	Capacitance Pf	Voltage KV Peak testing	Voltage KV Peak Working	Current Max. RMS A	Length mm/inch	Diameter mm/inch	Weight kg
VC3W-1000JB	----	CV3W-1000JB	CKTBS1000/35/796	100-1000	50/45/40	33/30/27	809, 796	474/18.66	214/8.43	18



CONTINUOUS RMS AMPERES VS FREQUENCY
(At 30kV PEAK WORKING VOLTAGE)

