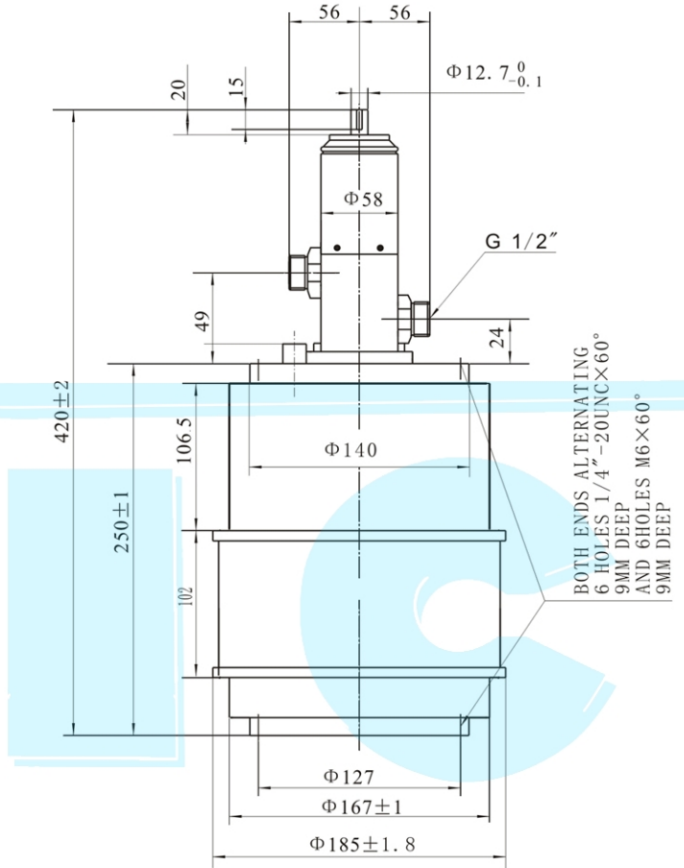




Water Cooled Variable Vacuum Capacitors

VIC P/N#	Jennings P/N# (cross ref.)	Comet P/N# (cross ref.)	China P/N# (cross ref.)	Capacitance Pf	Voltage KV Peak testing	Voltage KV Peak Working	Current Max. RMS A	Length mm/inch	Diameter mm/inch	Weight kg
VC3W-650F	CWV2-650-0255	CV3W-650F	CKTBS650/35/724	30-650	50/45/40	33/30/27	696, 724	420/16.54	188/7.4	12



CONTINUOUS RMS AMPERES VS FREQUENCY
(At 30kV PEAK WORKING VOLTAGE)

