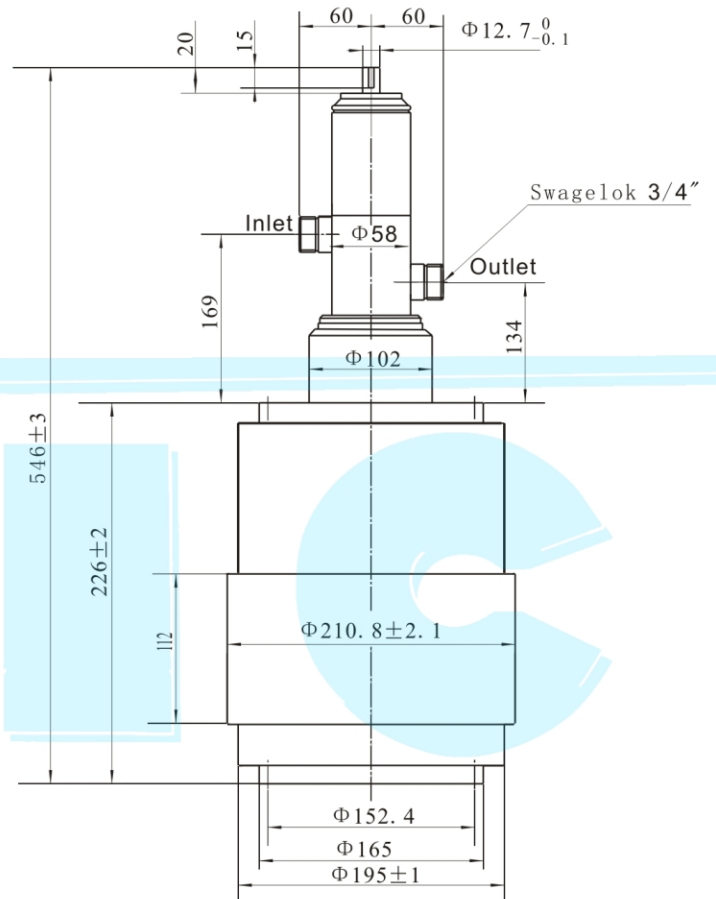




Water Cooled Variable Vacuum Capacitors

VIC P/N#	Jennings P/N# (cross ref.)	Comet P/N# (cross ref.)	China P/N# (cross ref.)	Capacitance Pf	Voltage KV Peak testing	Voltage KV Peak Working	Current Max. RMS A	Length mm/inch	Diameter mm/inch	Weight kg
CKTBS1200/35/750	----	----	CKTBS1200/35/750	40-1200	50	35	750	553/21.77	212/8.35	19



CONTINUOUS RMS AMPERES VS FREQUENCY
(At 30KV PEAK WORKING VOLTAGE)

