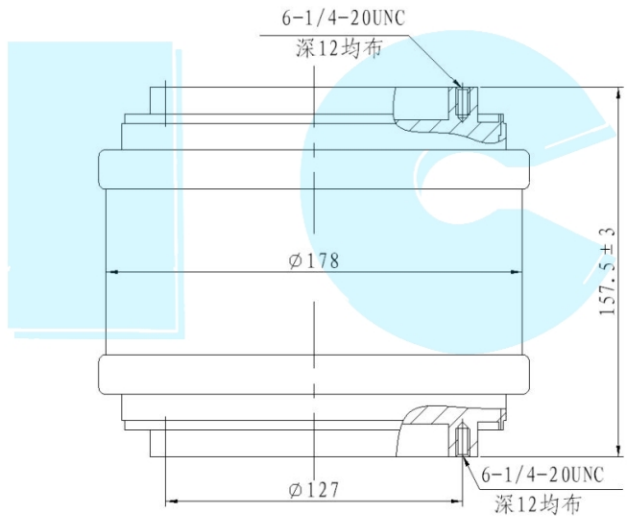
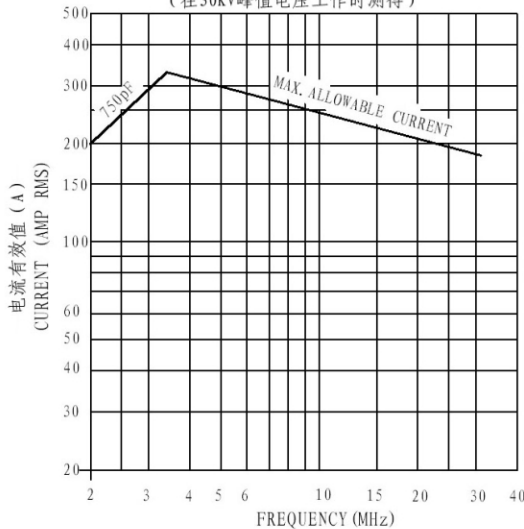


真空陶瓷固定电容器

VIC型号	Jennings	Comet	国内型号	电容量	峰值试验	高频峰值	最大	长度	外径	重量
	参考型号	参考型号		范围	电压	工作电压	射频电流			
				pF	kV	kV	A	mm	mm	Kg
CFHP-750-0040	CFHP-750-0040	---	---	750+/-5%	40.0	24	195	139.7	142.75	6
CFHP-750-0045	CFHP-750-0045	---	---	750+/-5%	45.0	27	205	139.7	142.75	6
CFHP-750-0050	CFHP-750-0050	---	---	750+/-5%	50.0	30	215	139.7	142.75	6
CFHP-900-50S	CFHP-900-50S	---	---	900+/-5%	50.0	35	350	157.48	182.9	6
CFHP-1000-40S	CFHP-1000-40S	CF3C-1000E	---	1000+/-5%	40.0	24	330	157.48	182.9	6
CFHP-1000-45S	CFHP-1000-45S	CF3C-1000E	---	1000+/-5%	45.0	27	340	157.48	182.9	6
CFHP-1000-50S	CFHP-1000-50S	CF3C-1000E	CKT1000/35/350	1000+/-5%	50.0	30	350	157.48	182.9	6



CONTINUOUS RMS AMPERES vs FREQUENCY
(at 30KV PEAK WORKING VOLTAGE)
持续有效电流和频率曲线
(在30KV峰值电压工作时测得)



CONTINUOUS RMS AMPERES vs FREQUENCY
(at 27KV PEAK WORKING VOLTAGE)
持续有效电流和频率曲线
(在27KV峰值电压工作时测得)

